



POWERTRAK 750

The robust Powertrak 750 scalping screen has been designed to excel in heavy duty screening applications such as blasted rock, overburden and C&D waste.

The Powertrak 750 features a vibrating grid feed-in width of 4.4m (14' 6"), meaning the machine can easily be fed with an excavator, loading shovel or grab. This coupled with its compact, sleek design and ease of movement makes the Powertrak 750 the ultimate choice for contractors, quarry operators & recycling customers.



✓ APPLICATIONS

AGGREGATE



Sand & gravel
Blasted rock
River rock

RECYCLING



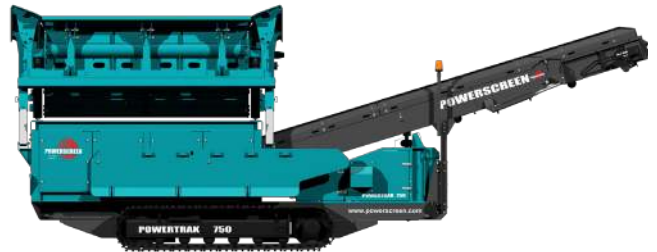
Top soil
C&D waste
Composted materials

MINING



Processed ores
Processed minerals

www.powerscreen.com



TECHNICAL HIGHLIGHTS



INCREASED PRODUCTIVITY

- Efficient design with low fuel consumption
- Large target area which ensures effortless feeding via wheel loader or an excavator
- High performance hydraulic system - cast iron pumps & motors complete with hydraulic cooler
- Class-leading stockpiling capacity



VERSATILITY

- Maximum mobility with heavy duty, low ground pressure tracks
- User-friendly operation & maintenance
- Easily transported from site to site



SERVICEABILITY

- Optimum access to power unit canopy





TECHNICAL SPECIFICATION



1 HOPPER & VIBRATING GRID

Split level scalping grizzly
Capacity: 5m³ (6.5yd³)
Vibrating grid
3 End-tensioned meshes on bottom deck
Grid apertures: 100mm (4"), 150mm (6")

3 TRACKS

Width: 400mm (16")

4 POWER UNIT

Tier 3/Stage 3A:
Deutz D914 L04 53kW (74hp)
Tier 4F / Stage V:
CAT C3.4 56kW (75hp)
Fuel Tank Capacity: 145L (38 US Gal)

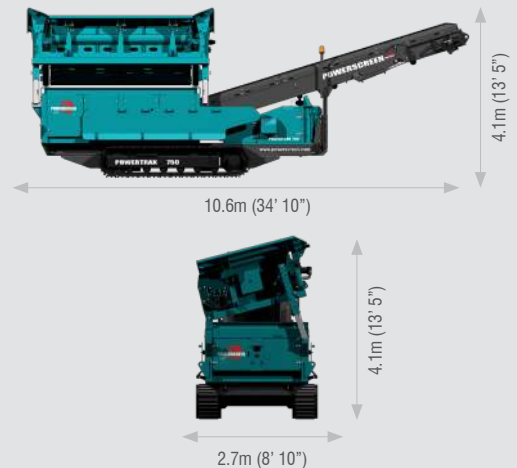
2 DISCHARGE CONVEYOR

Dual speed belt with twin drive system
Width: 1200mm (48")
Discharge height: 3.4m (11' 2")



DIMENSIONS

Working



Transport

Length: 9.44m (30' 11")
Width: 3.2m (10' 7")
Height: 2.82m (9' 3")

Weight

19,000kg (41,888lbs)
*Weights may vary depending on options

GET IN TOUCH

Dungannon

200 Coalisland Road, Dungannon,
Co Tyrone, BT71 4DR, Northern Ireland
Tel: +44 (0) 28 87 718 500
Fax: +44 (0) 28 87 747 231

Louisville

11001 Electron Drive,
Louisville, Kentucky, 40299 USA
Tel: +1 502 736 5200
Fax: +1 502 736 5202



www.powerscreen.com

The material in this document is for information only and is subject to change without notice. Powerscreen assumes no liability resulting from errors or omissions in this document, or from the use of the information contained herein. Due to continual product development we reserve the right to change specifications without notice. Product performance figures given in this brochure are for guidance purposes only, this information does not constitute an expressed or implied warranty or guarantee, but shows test examples provided by Dealers. These results will vary depending on crusher chamber settings, screen media and sizes, feed source and types of material being processed. Photographs are for illustrative purposes only, some or all of the machines in the illustrations may be fitted with optional extras. Please check with your Dealer for details on optional extras. All machines are CE Approved.

Powerscreen® is a registered trademark of Terex GB Limited in the United States of America and many other countries. Copyright 2024 Terex GB Limited. Published and Printed in 2024.